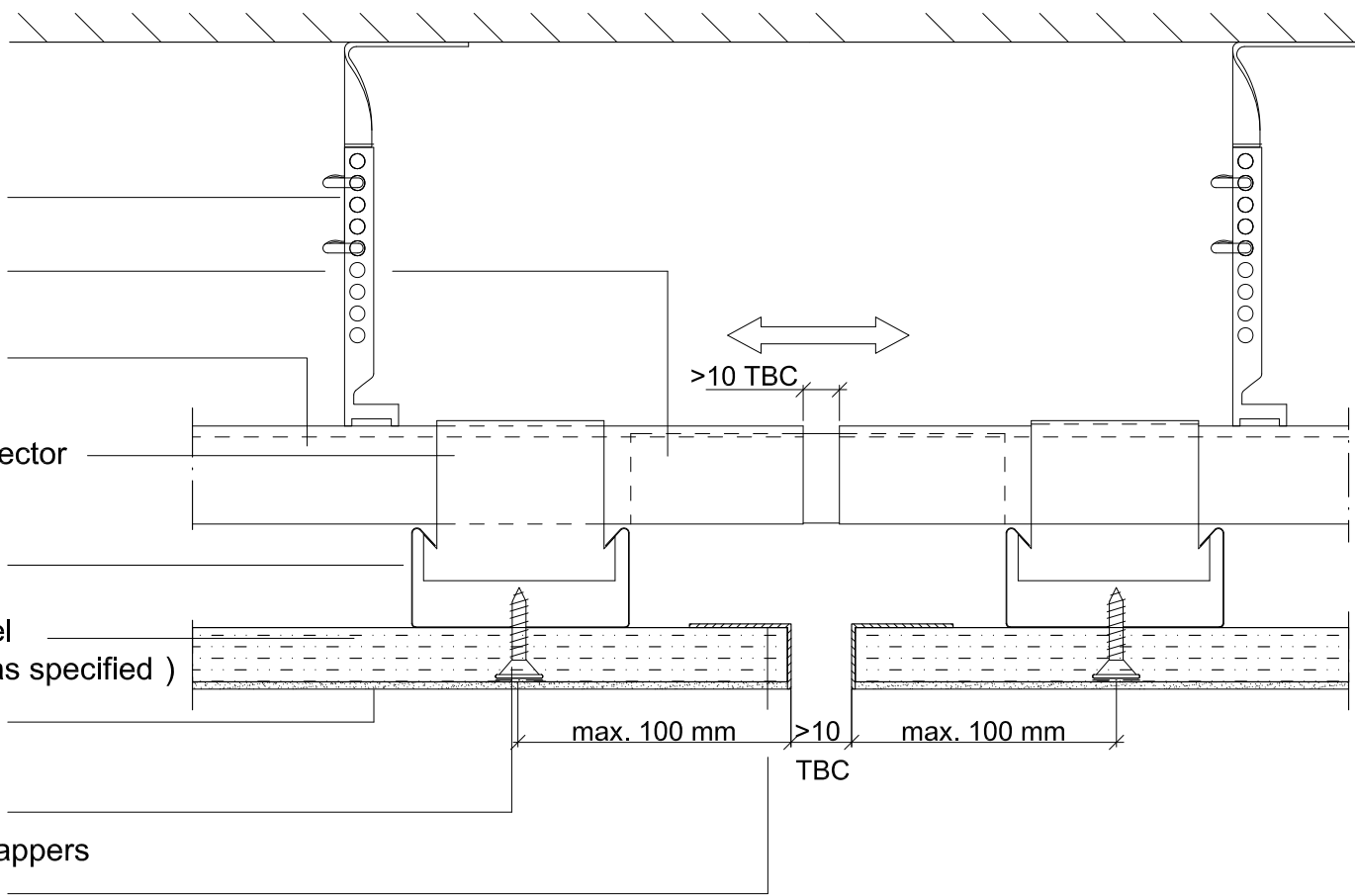


- Sto Nonius Hanger
(07989-012)
- Sto Splice Connector
(07989-006)
- Sto Primary Channel
(07989-076)
- Sto Braced Cross Connector
(07989-015)
- Sto Secondary Channel
(07989-076)
- StoSilent Distance Panel
(15mm or 25mm thick as specified)
- Sto Acoustic Finish
(As specified)
- Coated dry wall screws
or Stainless Steel self-tappers
- Sto Stop Bead
(As specified)



(Epoxy powder (EP) metal work required for swimming pools and humid environments)

Drawn by:	M.Shepherd: 23/06/11	<h2 style="margin: 0;">StoSilent Distance Acoustic System</h2>	Title: Sto-SC400 Braced Suspension Grid Open Expansion Joint - Ceiling Section	Sto Ltd 2 Gordon Avenue Hillington Park Glasgow G52 4TG Tel: +44 (0)141 892 8000 Fax: +44 (0)141 404 9001 E-mail: info.uk@sto.com
Scale: NTS	Revision date: 16/05/16			
<p>Notice: Neighbouring works are represented only schematically. This detail is a proposal which describes the basic function of the StoSilent Distance Acoustic System. The detail solution does not result in any liability for the company Sto Ltd. As the specific nature of the project in question was not known, no allowance is made for it in the solution. If necessary, the solution must be modified by a suitably trained Architect / Planner / Contract Administrator / Applicator after examining the project and local conditions as well as all construction law and other rules and regulations (e.g. Fire protection , physical properties, technical principles etc.) Use of this solution does not absolve the Architect / Planner / Contract Administrator / Applicator / User of their duty to examine local conditions and to observe any applicable rules and regulations.</p>			Drg Ref: SC400_101	Rev: A