

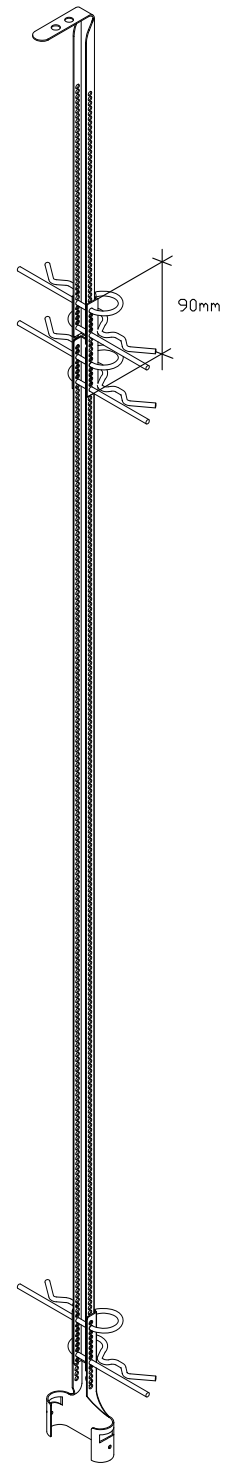
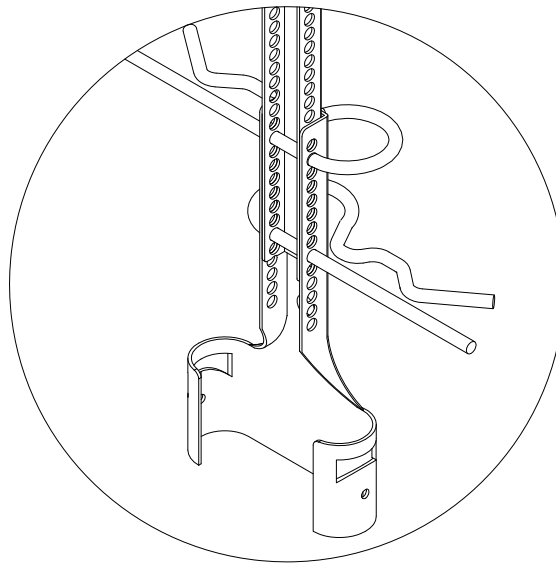
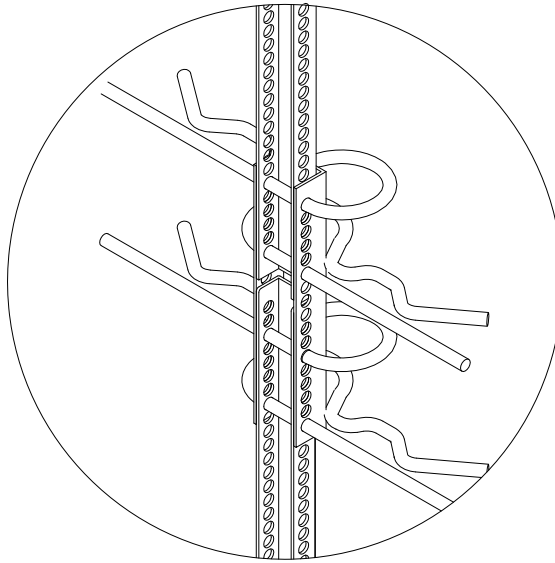
Sto Strip Hanger  
( 07989-xxx )  
(135mm - 1000mm )

Sto Nonius  
Extension Strip  
Connector  
( 07989-046 )

Sto Nonius  
Extension Strip  
( 07989-038 )

Sto Fixing Pins  
( 07989-010 )

Sto Nonius Hanger  
( 07989-012 )



( Epoxy powder ( EP ) metal work required for swimming pools and humid environments )

Drawn by:	M.Shepherd: 23/08/11
Scale: NTS	Revision date: 16/05/16

**StoSilent Distance Acoustic System**



**Title:**

**StoSilent Nonius Hanger Arrangement**

**Sto Ltd**  
2 Gordon Avenue  
Hillington Park  
Glasgow G52 4TG  
Tel: +44 (0)141 892 8000  
Fax: +44 (0)141 404 9001  
E-mail: info.uk@sto.com

**Notice:**

Neighbouring works are represented only schematically.  
This detail is a proposal which describes the basic function of the StoSilent Distance Acoustic System.  
The detail solution does not result in any liability for the company Sto Ltd. As the specific nature of the project in question was not known, no allowance is made for it in the solution. If necessary, the solution must be modified by a suitably trained Architect / Planner / Contract Administrator / Applicator after examining the project and local conditions as well as all construction law and other rules and regulations ( e.g. Fire protection , physical properties, technical principles etc. ) Use of this solution does not absolve the Architect / Planner / Contract Administrator / Applicator / User of their duty to examine local conditions and to observe any applicable rules and regulations.

Drg Ref: SC400\_03

Rev: B