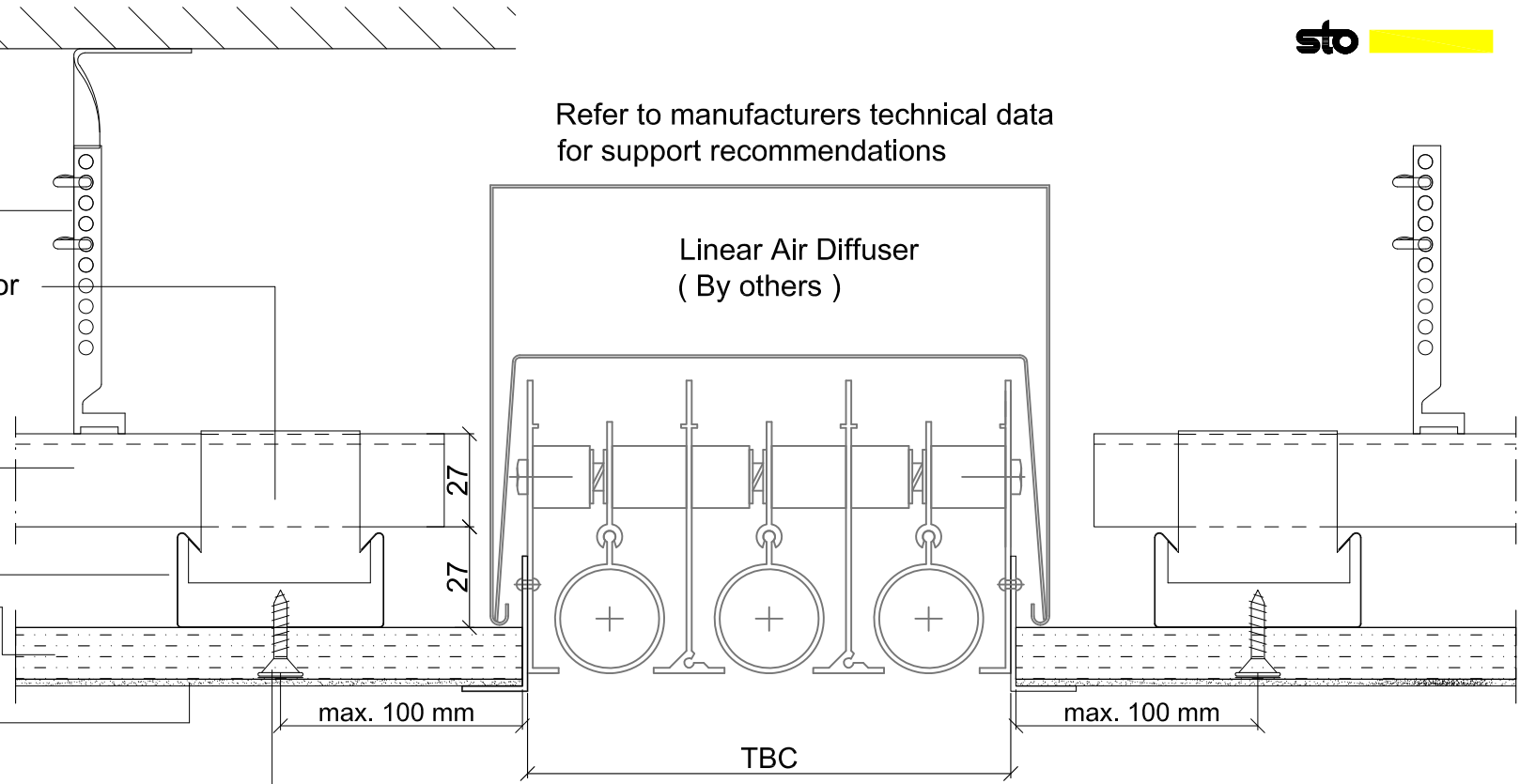


Refer to manufacturers technical data
for support recommendations

- Sto Nonius Hanger
(07989-012)
- Sto Braced Cross Connector
(07989-015)
- Sto Primary Channel
(07989-076)
- Sto Secondary Channel
(07989-076)
- StoSilent Distance Panel
(15mm or 25mm thick
as specified)
- Sto Acoustic Finish
(As specified)
- Coated dry wall screws
or Stainless Steel self-tappers



(Epoxy powder (EP) metal work required for swimming pools and humid environments)

Drawn by: M.Shepherd: 23/06/11
Scale: NTS Revision date: 17/05/16

StoSilent Distance Acoustic System

Title:

Sto-SC400 Braced Suspension Grid

Linear Air Diffuser - Ceiling Section

Sto Ltd

2 Gordon Avenue
Hillington Park
Glasgow G52 4TG
Tel: +44 (0)141 892 8000
Fax: +44 (0)141 404 9001
E-mail: info.uk@sto.com

Notice:
Neighbouring works are represented only schematically.
This detail is a proposal which describes the basic function of the StoSilent Distance Acoustic System.
The detail solution does not result in any liability for the company Sto Ltd. As the specific nature of the project in question was not known, no allowance is made for it in the solution. If necessary, the solution must be modified by a suitably trained Architect / Planner / Contract Administrator / Applicator after examining the project and local conditions as well as all construction law and other rules and regulations (e.g. Fire protection , physical properties, technical principles etc.) Use of this solution does not absolve the Architect / Planner / Contract Administrator / Applicator / User of their duty to examine local conditions and to observe any applicable rules and regulations.

Drg Ref: SC400_106

Rev: A