

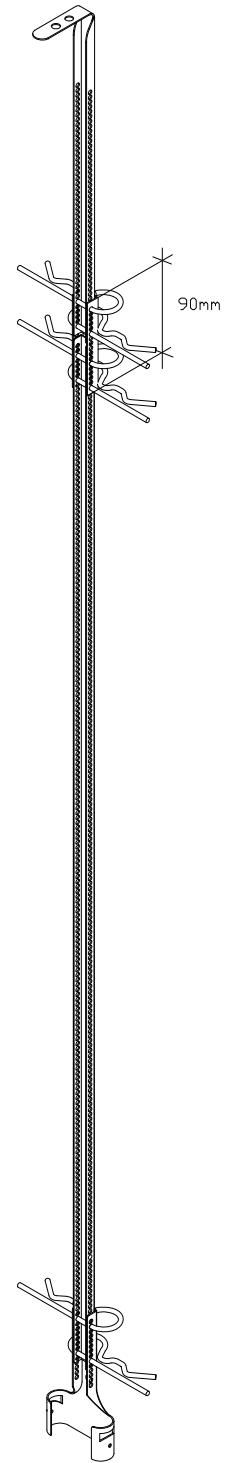
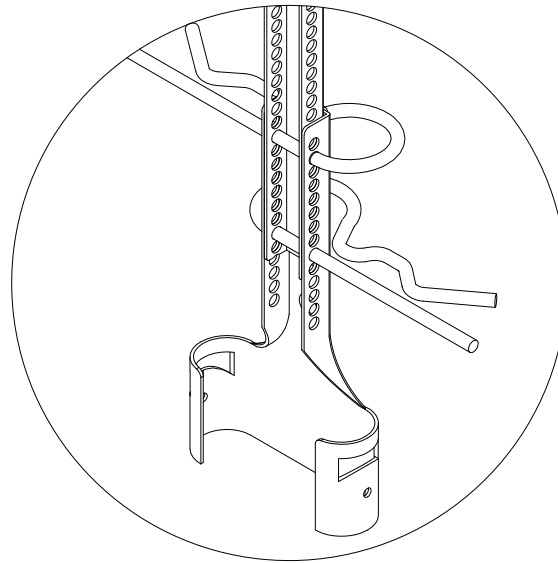
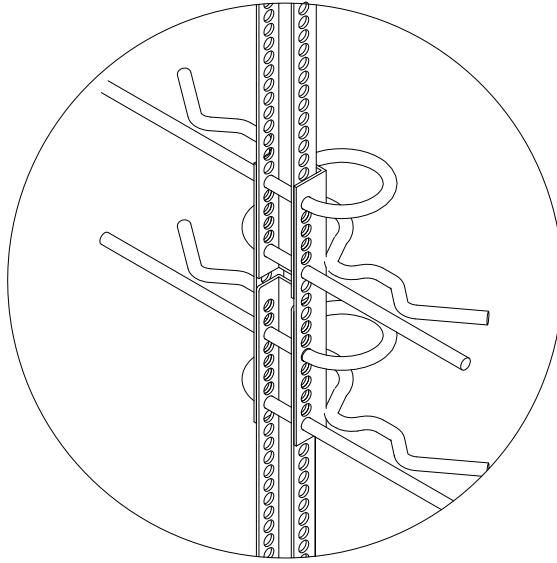
Sto Strip Hanger
(07989-xxx)
(135mm - 1000mm)

Sto Nonius
Extension Strip
Connector
(07989-046)

Sto Nonius
Extension Strip
(07989-038)

Sto Fixing Pins
(07989-010)

Sto Nonius Hanger
(07989-012)



Note :
(Epoxy powder (EP) coated metalwork and suitable board screws required for C4 and C5 environments to EN 12944 (E.g. swimming pools , semi-exposed locations, etc)

Drawn by:	M.Shepherd: 23/08/11
Scale: NTS	Revision date: 16/05/16

StoSilent Distance Acoustic System



Title:

StoSilent Nonius Hanger Arrangement

Sto Ltd

2 Gordon Avenue
Hillington Park
Glasgow G52 4TG
Tel: +44 (0)141 892 8000
Fax: +44 (0)141 404 9001
E-mail: info.uk@sto.com

Notice:

Neighbouring works are represented only schematically.
This detail is a proposal which describes the basic function of the StoSilent Distance Acoustic System.
The detail solution does not result in any liability for the company Sto Ltd. As the specific nature of the project in question was not known, no allowance is made for it in the solution. If necessary, the solution must be modified by a suitably trained Architect / Planner / Contract Administrator / Applicator after examining the project and local conditions as well as all construction law and other rules and regulations (e.g. Fire protection , physical properties, technical principles etc.) Use of this solution does not absolve the Architect / Planner / Contract Administrator / Applicator / User of their duty to examine local conditions and to observe any applicable rules and regulations.

Drg Ref: SC400_03

Rev: B